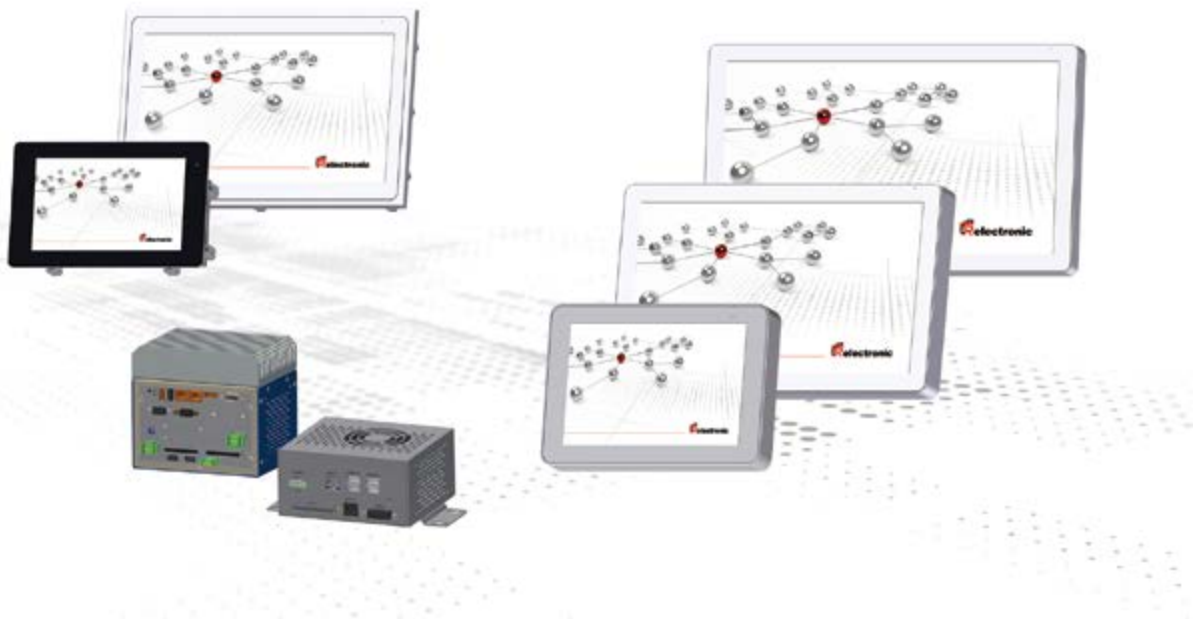


Automatisierungsplattform notion. ABC

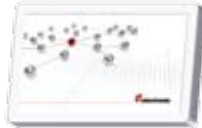
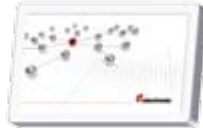
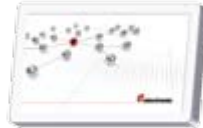


Das neue ABC der Automatisierungstechnik

Drei grundlegende Bauformen fügen sich in verschiedenste Konfigurationen ein. „notion.A“ sind vollständig geschlossene Einheiten. Sie werden mittels Tragarm-befestigung montiert und ermöglichen unter schwierigsten Umgebungsbedingungen die Visualisierung und Bedienung der Systeme. In aufrechter Porträt-Ausrichtung spielt das moderne 16:9-Seitenverhältnis seine Vorteile voll aus: Oben die Visualisierung, unten Statusanzeigen, Verlaufsdiagramme und Softkeys. Aber auch quer (Landscape) hilft die größere Bildfläche, multitouch-Navigation


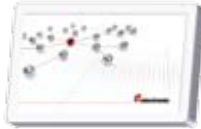
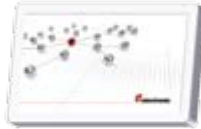
wirklich ergonomisch zu gestalten. Als Schaltschrankcomputer bietet „notion.B“ die erforderliche Rechnerperformance. Für den traditionellen Einbau in 19-inch-Bedienfelder, Schaltschränken oder Pulten vereint „notion.C“ die IP65-dichte Fronteinheit von „notion.A“ mit der Rechenpower von „notion.B“. „notion.ABC“ ist das innovative Herzstück für zukunftsorientierte, aber auch für traditionelle Bediensystem- und Automatisierungsanwendungen.

notion.A (Tablet)

Produkt	notion.A (Tablet) 	notion.A (Tablet) 	notion.A (Tablet) 
Bildschirmdiagonale	256,0 mm (10,1")	439,4 mm (17,3")	469,9 mm (18,5")
Bildschirmauflösung	1280×800	1920×1080	1366×768
Bildschirmformat	16:9 Wide XGA	16:9 Full HD	16:9 Wide XGA
Touchscreen	Glas-Touch (Multitouch)	Glas-Touch (Multitouch)	Glas-Touch (Multitouch)
Betriebsspannung	24 VDC; +/- 20%	24 VDC; +/- 20%	24 VDC; +/- 20%
Betriebstemperatur	0...50 °C	0...50 °C	0...50 °C
Schutzart Front / Rückseite	IP65 / IP65	IP65 / IP65	IP65 / IP65
Gehäusemontage	VESA 75 / 100	VESA 75 / 100	VESA 75 / 100
CPU	ARM Cortex	ARM Cortex	ARM Cortex
Laufwerk	SD (Secure Digital Memory Card)	SD (Secure Digital Memory Card)	SD (Secure Digital Memory Card)
Betriebssystem	Android	Android	Android
Schnittstellen	LAN USB 2.0	LAN USB 2.0	LAN





notion.A (Tablet)

notion.A (Computer)

Produkt	notion.A (Tablet)	notion.A (Computer)	notion.A (Computer)
			
Bildschirmdiagonale	609,6 mm (24,0")	256,0 mm (10,1")	439,4 mm (17,3")
Bildschirmauflösung	1920 x 1080	1280 x 800	1920 x 1080
Bildschirmformat	16:9 Full HD	16:9 Wide XGA	16:9 Full HD
Touchscreen	Glas-Touch (Multitouch)	Glas-Touch (Multitouch)	Glas-Touch (Multitouch)
Betriebsspannung	24 VDC; +/- 20%	24 VDC; +/- 20%	24 VDC; +/- 20%
Betriebstemperatur	0...50 °C	0...50 °C	0...50 °C
Schutzart Front / Rückseite	IP65 / IP65	IP65 / IP654	IP65 / IP54
Gehäusemontage	VESA 75 / 100	VESA 75 / 100	VESA 75 / 100
CPU	ARM Cortex	Intel® Atom™ Quad-Core	Intel® Atom™ Quad-Core; AMD Quad Core; Intel® Core™ i5; Intel® Core™ i7
Laufwerk	SD (Secure Digital Memory Card)	CFast (CompactFlash ATA Serial Transfer); CF (Compact Flash); SD (Secure Digital Memory Card); SSD (Solid-State-Drive); HDD (Hard-Disk-Drive)	CFast (CompactFlash ATA Serial Transfer); CF (Compact Flash); SD (Secure Digital Memory Card); SSD (Solid-State-Drive); HDD (Hard-Disk-Drive)
Betriebssystem	Android	Windows® Embedded Standard 7; Windows® 7 Professional; Windows® Embedded 8 Standard; Windows® 8 Professional	Windows® Embedded Standard 7; Windows® 7 Professional; Windows® Embedded 8 Standard; Windows® 8 Professional
Schnittstellen	LAN USB 2.0	LAN RS232 WLAN Bluetooth USB 2.0 Realtime-LAN USB 3.0	LAN RS232 WLAN Bluetooth USB 2.0 Realtime-LAN USB 3.0

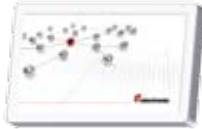
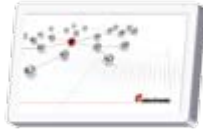
notion.A (Computer)

notion.A (Terminal)

notion.A (Computer)	notion.A (Computer)	notion.A (Terminal)	notion.A (Terminal)
			
469,9 mm (18,5")	609,6 mm (24,0")	256,0 mm (10,1")	439,4 mm (17,3")
1366 x 768	1920 x 1080	1280 x 800	1920 x 1080
16:9 Wide XGA	16:9 Full HD	16:9 Wide XGA	16:9 Full HD
Glas-Touch (Multitouch)	Glas-Touch (Multitouch)	Glas-Touch (Multitouch)	Glas-Touch (Multitouch)
24 VDC; +/- 20%	24 VDC; +/- 20%	24 VDC; +/- 20%	24 VDC; +/- 20%
0...50 °C	0...50 °C	0...50 °C	0...50 °C
IP65 / IP54	IP65 / IP54	IP65 / IP65	IP65 / IP65
VESA 75 / 100	VESA 75 / 100	VESA 75 / 100	VESA 75 / 100
Intel® Atom™ Quad-Core; AMD Quad Core; Intel® Core™ i5; Intel® Core™ i7	Intel® Atom™ Quad-Core; AMD Quad Core; Intel® Core™ i5; Intel® Core™ i7		
CFast (CompactFlash ATA Serial Transfer); CF (Compact Flash); SD (Secure Digital Memory Card); SSD (Solid-State-Drive); HDD (Hard-Disk-Drive)	CFast (CompactFlash ATA Serial Transfer); CF (Compact Flash); SD (Secure Digital Memory Card); SSD (Solid-State-Drive); HDD (Hard-Disk-Drive)		
Windows® Embedded Standard 7; Windows® 7 Professional; Windows® Embedded 8 Standard; Windows® 8 Professional	Windows® Embedded Standard 7; Windows® 7 Professional; Windows® Embedded 8 Standard; Windows® 8 Professional		
LAN RS232	LAN RS232	VGA DVI	VGA DVI
WLAN Bluetooth	WLAN Bluetooth		
USB 2.0 Realtime -LAN	USB 2.0 Realtime -LAN		
USB 3.0	USB 3.0		

notion.A (Terminal)

notion.B 100

Produkt	notion.A (Terminal) 	notion.A (Terminal) 	notion.B 100 
Bildschirmdiagonale	469,9 mm (18,5")	609,6 mm (24,0")	
Bildschirmauflösung	1366 × 768	1920 × 1080	
Bildschirmformat	16:9 Wide XGA	16:9 Full HD	
Touchscreen	Glas-Touch (Multitouch)	Glas-Touch (Multitouch)	Tastatur, Maus
Betriebsspannung	24 VDC; +/- 20%	24 VDC; +/- 20%	24 VDC; +/- 20%
Betriebstemperatur	0...50 °C	0...50 °C	0...50 °C
Schutzart Front / Rückseite	IP65 / IP65	IP65 / IP65	IP20
Gehäusemontage	VESA 75 / 100	VESA 75 / 100	Befestigungswinkel
CPU			AMD Quad Core
Laufwerk			CF (Compact Flash); SSD (Solid-State-Drive); HDD (Hard-Disk-Drive)
Betriebssystem			Windows® Embedded Standard 7; Windows® 7 Professional; Windows® Embedded 8 Standard; Windows® 8 Professional
Schnittstellen	VGA DVI	VGA DVI	LAN USB 2.0

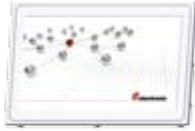

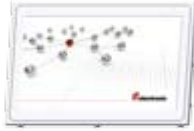
notion.B 200

notion.C (Tablet)

notion. B 200	notion.C (Tablet)	notion.C (Tablet)	notion.C (Tablet)
			
	256,5 mm (10,1 „)	439,4 mm (17,3“)	469,9 mm (18,5“)
	1280×800	1920×1080	1366×768
	16:9 Wide XGA	16:9 Full HD	16:9 Wide XGA
Tastatur, Maus	Glas-Touch (Multitouch)	Glas-Touch (Multitouch)	Glas-Touch (Multitouch)
24 VDC; +/- 20%	24 VDC; +/- 20%	24 VDC; +/- 20%	24 VDC; +/- 20%
0...50 °C	0...50 °C	0...50 °C	0...50 °C
IP20	IP65 / IP20	IP65 / IP20	IP65 / IP20
Befestigungswinkel; Hutschiene	Einbaumontage	Einbaumontage	Einbaumontage
Intel® Atom™ Quad-Core; AMD Quad Core; Intel® Core™ i5; Intel® Core™ i7	ARM Cortex	ARM Cortex	ARM Cortex
CFast (CompactFlash ATA Serial Transfer); CF (Compact Flash); SD (Secure Digital Memory Card); SSD (Solid-State-Drive); HDD (Hard-Disk-Drive)	SD (Secure Digital Memory Card)	SD (Secure Digital Memory Card)	SD (Secure Digital Memory Card)
Windows® Embedded Standard 7; Windows® 7 Professional; Windows® Embedded 8 Standard; Windows® 8 Professional	Android	Android	Android
LAN RS232	LAN USB 2.0	LAN USB 2.0	LAN
WLAN Bluetooth			
USB 2.0 Realtime-LAN			
USB 3.0			

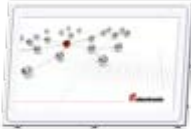
notion.C (Tablet)

notion.C (Computer)



Produkt	notion.C (Tablet)	notion.C (Computer)	notion.C (Computer)
			
Bildschirmdiagonale	609,6 mm (24,0")	256,5 mm (10,1 ..)	439,4 mm (17,3")
Bildschirmauflösung	1920 x 1080	1280 x 800	1920 x 1080
Bildschirmformat	16:9 Full HD	16:9 Wide XGA	16:9 Full HD
Touchscreen	Glas-Touch (Multitouch)	Glas-Touch (Multitouch)	Glas-Touch (Multitouch)
Betriebsspannung	24 VDC; +/- 20%	24 VDC; +/- 20%	24 VDC; +/- 20%
Betriebstemperatur	0...50 °C	0...50 °C	0...50 °C
Schutzart Front / Rückseite	IP65 / IP20	IP65 / IP20	IP65 / IP20
Gehäusemontage	Einbaumontage	Einbaumontage	Einbaumontage
CPU	ARM Cortex	Intel® Atom™ Quad-Core;	Intel® Atom™ Quad-Core; AMD Quad Core; Intel® Core™ i5; Intel® Core™ i7
Laufwerk	SD (Secure Digital Memory Card)	CFast (CompactFlash ATA Serial Transfer); CF (Compact Flash); SD (Secure Digital Memory Card); SSD (Solid-State-Drive); HDD (Hard-Disk-Drive)	CFast (CompactFlash ATA Serial Transfer); CF (Compact Flash); SD (Secure Digital Memory Card); SSD (Solid-State-Drive); HDD (Hard-Disk-Drive)
Betriebssystem	Android	Windows® Embedded Standard 7; Windows® 7 Professional; Windows® Embedded 8 Standard; Windows® 8 Professional	Windows® Embedded Standard 7; Windows® 7 Professional; Windows® Embedded 8 Standard; Windows® 8 Professional
Schnittstellen	LAN USB 2.0	LAN RS232 WLAN Bluetooth USB 2.0 Realtime-LAN USB 3.0	LAN RS232 WLAN Bluetooth USB 2.0 Realtime-LAN USB 3.0

notion.C (Computer)

notion.C (Terminal)

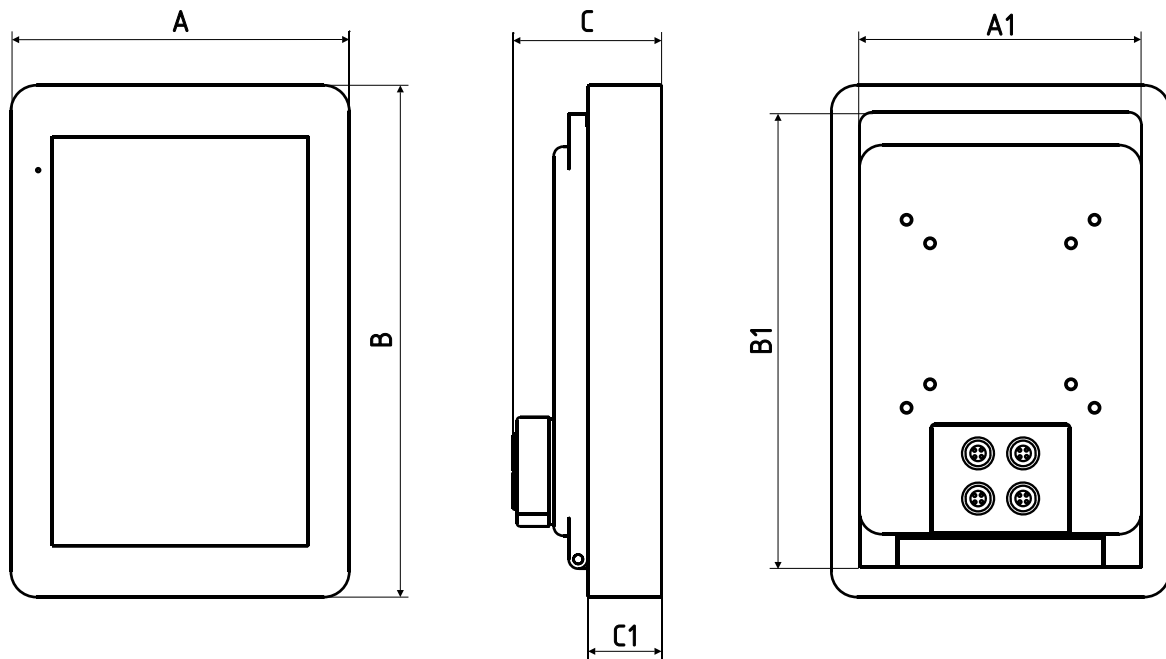
notion.C (Computer)	notion.C (Computer)	notion.C (Terminal)	notion.C (Terminal)
			
469,9 mm (18,5")	609,6 mm (24,0")	256,5 mm (10,1 „)	439,4 mm (17,3")
1366 x 768	1920 x 1080	1280 x 800	1920 x 1080
16:9 Wide XGA	16:9 Full HD	16:9 Wide XGA	16:9 Full HD
Glas-Touch (Multitouch)	Glas-Touch (Multitouch)	Glas-Touch (Multitouch)	Glas-Touch (Multitouch)
24 VDC; +/- 20%	24 VDC; +/- 20%	24 VDC; +/- 20%	24 VDC; +/- 20%
0...50 °C	0...50 °C	0...50 °C	0...50 °C
IP65 / IP20	IP65 / IP20	IP65 / IP20	IP65 / IP20
Einbaumontage	Einbaumontage	Einbaumontage	Einbaumontage
Intel® Atom™ Quad-Core; AMD Quad Core; Intel® Core™ i5; Intel® Core™ i7	Intel® Atom™ Quad-Core; AMD Quad Core; Intel® Core™ i5; Intel® Core™ i7		
CFast (CompactFlash ATA Serial Transfer); CF (Compact Flash); SD (Secure Digital Memory Card); SSD (Solid-State-Drive); HDD (Hard-Disk-Drive)	CFast (CompactFlash ATA Serial Transfer); CF (Compact Flash); SD (Secure Digital Memory Card); SSD (Solid-State-Drive); HDD (Hard-Disk-Drive)		
Windows® Embedded Standard 7; Windows® 7 Professional; Windows® Embedded 8 Standard; Windows® 8 Professional	Windows® Embedded Standard 7; Windows® 7 Professional; Windows® Embedded 8 Standard; Windows® 8 Professional		
LAN RS232	LAN RS232	VGA DVI	VGA DVI
WLAN Bluetooth	WLAN Bluetooth		
USB 2.0 Realtime-LAN	USB 2.0 Realtime-LAN		
USB 3.0	USB 3.0		

notion.C (Terminal)

Produkt	notion.C (Terminal)	notion.C (Terminal)
		
Bildschirmdiagonale	469,9 mm (18,5")	609,6 mm (24,0")
Bildschirmauflösung	1366 x 768	1920 x 1080
Bildschirmformat	16:9 Wide XGA	16:9 Full HD
Touchscreen	Glas-Touch (Multitouch)	Glas-Touch (Multitouch)
Betriebsspannung	24 VDC; +/- 20%	24 VDC; +/- 20%
Betriebstemperatur	0...50 °C	0...50 °C
Schutzart Front / Rückseite	IP65 / IP20	IP65 / IP20
Gehäusemontage	Einbaumontage	Einbaumontage
CPU		
Laufwerk		
Betriebssystem		
Schnittstellen	VGA DVI	VGA DVI

Massbilder

notion.A (Tablet)
Maße siehe Tabelle

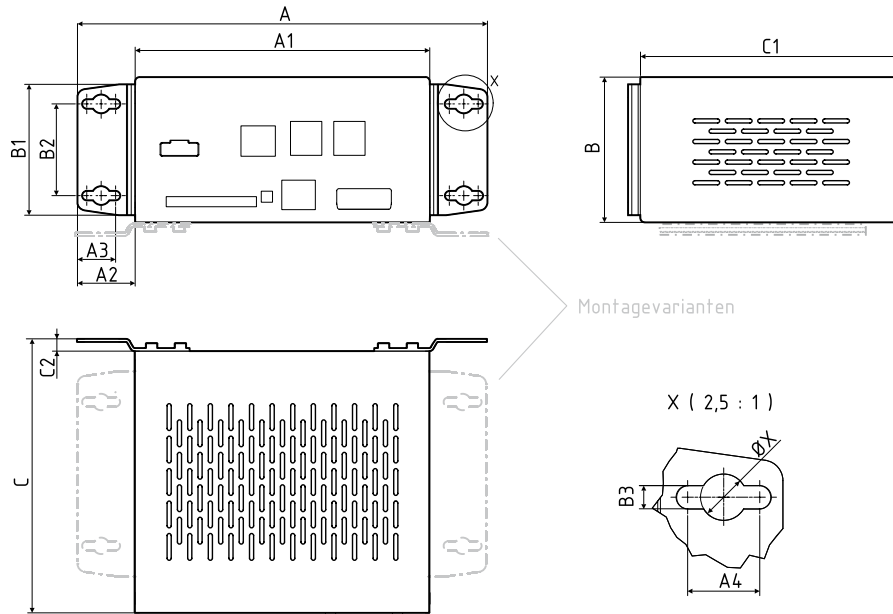


notion.A
Maße

Displaydiagonale [mm]	A	A1	B	B1	C	C1
10,1 inch	180,0	150,0	272,3	242,0	78,9	39,0
17,3 inch	266,2	150,0	433,3	242,0	83,5	41,0
18,5 inch	289,6	150,0	460,5	242,0	85,5	41,0
24,0 inch	357,5	150,0	594,7	242,0	85,0	42,5

Massbilder

notion.B Maße



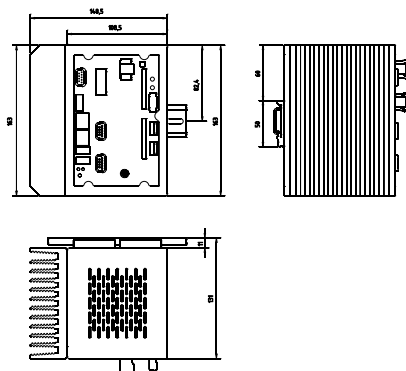
Montagevarianten

X (2,5 : 1)

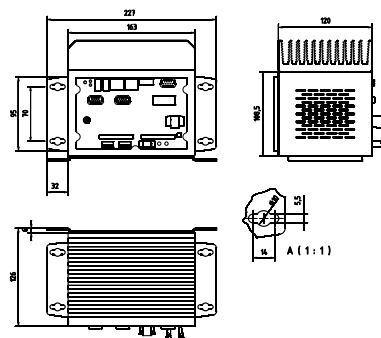
[mm]	A	A1	A2	A3	B	B1	B2	C	C1	C2
	199,0	143,0	28,3	18,5	70,5	63,5	44,5±0,2	133,0	127,0	6,0

[mm]	B3	A4	ØX
	4,5	14,0	9,0

notion.B Auf Hutschiene montiert



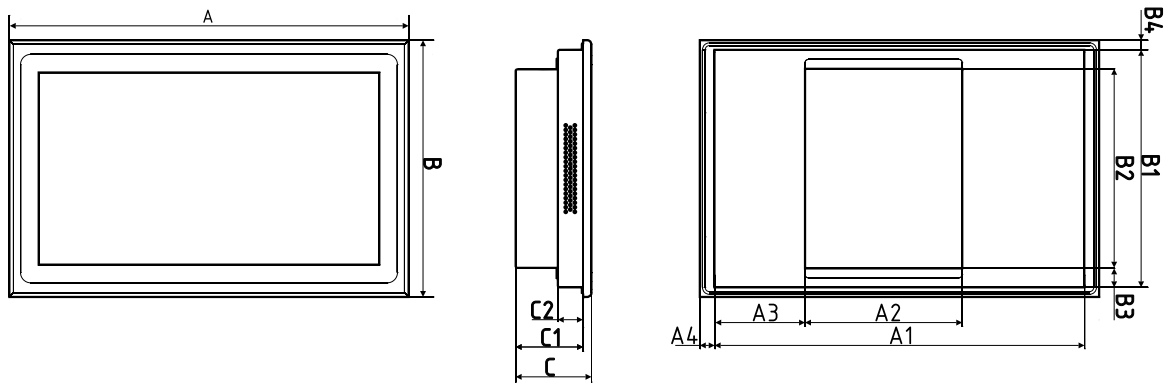
notion.B Mit Befestigungswinkeln



Massbilder

notion.C

Maße siehe Tabelle



notion.C

Maße

Displaydiagonale [mm]	A	A1	A2	A3	A4	B	B1	B2	B3	B4	C	C1	C2
7,0 inch	201,1	189,1	185,7	1,7	6,0	126,4	114,4	86,0	26,7	6,0	39,7	36,7	11,7
10,1 inch													
17,3 inch													
18,5 inch	482,6	455,0	190,0	109,5	18,8	310,3	287,0	240,0	23,5	11,7	56,5	81,5	46,5
24,0 inch													